

K-545

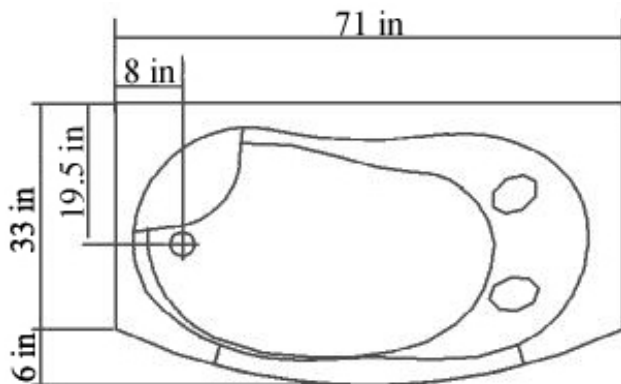
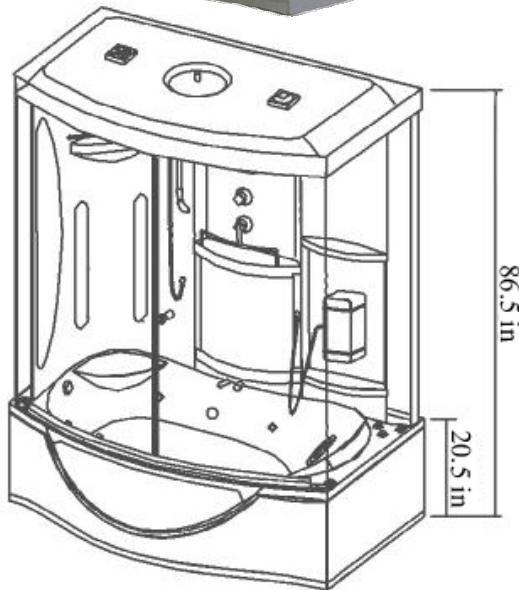


FEATURES

- Factory assembled and tested
- Available in Almond and White
- Polish Finish
- FM Radio
- Aromatherapy Cup
- Accessory Rack
- Mirror
- Foot Massage
- Tub Filler
- Underwater Color Lighting
- Air Jets
- Diverter
- Body Massage Jets
- Rainfall Shower
- Hand-held Shower w/ Height-adjustable Bracket
- Molded seat
- Pressure Balance Valve (On Request)
- Adjustable Time Settings
- Control Panel with Remote
- Sliding Doors
- Circulation Fan
- Fluorescent Light
- Interior Access Panel
- Drain Access Panel
- Tempered Glass
- Self-Cleaning Steam Generator

TECHNICAL INFORMATION

- **Materials:** Acrylic, Tempered Glass
- **Power Supply:** 220V, 3KW
- **Steam Ready:** 5 MIN
- **Dimensions:** 71 x 33 (39) x 87 IN



GENERAL INFORMATION

- Units come broken down in panels and are assembled with screws, nuts and bolts on site. All seams to be caulked with 100% silicone at room temperature (no latex caulking)

PLUMBING REQUIREMENTS

- The unit is equipped with 18 inch hot and cold, metal braided ½ inch water supply hose with ½ national pipe thread.
- Need to install hot and cold shutoffs with ½ -male national pipe thread (not included).
- Supply hoses are to connect from the faucet manifold on the unit to the shutoff valves.
- All water jet features are pre-plumbed with reinforced braided flexible supply hose
- All fixtures and fittings should be checked for tightness as they may have been loosened during transport

ELECTRICAL REQUIREMENTS

- Steam box - 3 KW
- Water pump - .75 KW (steam box, water pump, and air pump can be on the same line)
- Air pump - .5 KW
- 12-2 wire (line 1, line 2, and ground)
- 220 volt, 20 amp GFCI breaker with internal neutral wire needed (it is advised not to use whirlpool tub and steam at the same time)
- There is a length of wire from the steam box, water pump, and air pump to run into a junction box (not included) for final connection to 220 line

K-545-L



K-545-R

