

~ 1 ~

Steam Shower Manual

Model: FJ-2233



Important Safety Information

IMPORTANT

The following must be observed for safe and proper installation and operation. Professional installation is recommended; faulty electrical work may increase the risk of fire.

1. Always consult with a physician before using a steam shower.
2. Children should never use steam shower without adult supervision.
3. If you become dizzy, lightheaded or nauseas you should discontinue use immediately and consult a physician.

WARNING: Individuals who are intoxicated, or have been diagnosed with high blood pressure, or other heart problems should not use steam showers without prior medical consent.

Table of Contents

Notice.....	4
Features.....	5
Water & Electrical Connections	5
Installation	6

Notice

- Do not disconnect any hose or joints from the acrylic panels.
- All shower panel seams must be sealed with 100% silicone caulk
- Remove all protective plastic before assembly
- Tighten and reseal any and all loose fittings, jets and fixtures.
- All electrical work should be done in accordance with local safety standards.
- Water lines must be active before unit is powered up.

Features

- Luxurious Tempered Glass Enclosure
- Self-cleaning Steam Generator
- Left/Right Models Available
- Body Massage Jets
- Rainfall Showerhead
- 2-Person Molded Seat
- Aromatherapy Cup
- Computer Panel
- Remote Control
- Quartz Light
- Circulation Fan
- FM Radio / CD-MP3 connection
- Mirror
- Accessory Rack
- Handheld Showerhead
- Foot massage

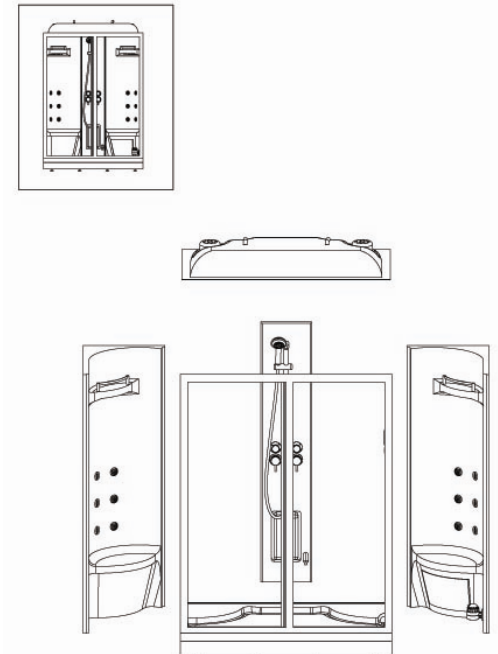
Water and Electrical Connections

- To avoid scalding the incoming water temperature should never exceed 122° Fahrenheit.
- Water pressure must stay within the range of 30-70 PSI.
- 2 Hot/Cold shutoff valves with ½ male pipe threads are required (not included).
- 1-220 volt 20 amp GFCI breaker with internal neutral wire is required (10-2/ 12-2 gauge wire).

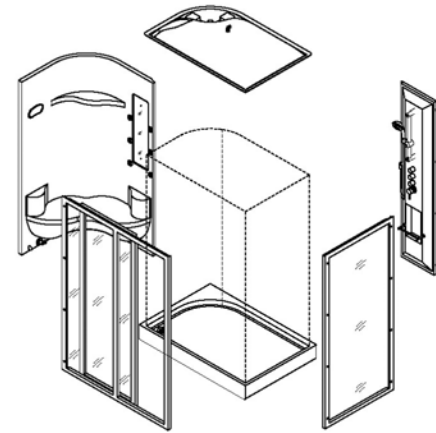
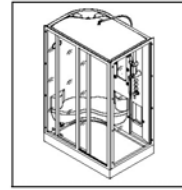
Installation

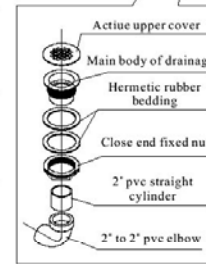
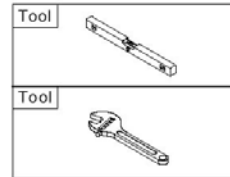
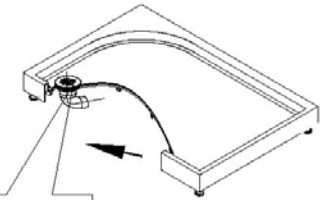
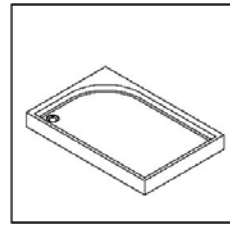
Required tools

- Crescent wrench
- #2 Philips head screw-driver (electric if possible)
- Strait head screw-driver
- Level
- Caulk gun with 100% silicone caulk
- Customer support—call 866-STEAM-61
- **It is recommended to use 100% silicone caulk to seal all joints between shower panels instead of adhesive tape**

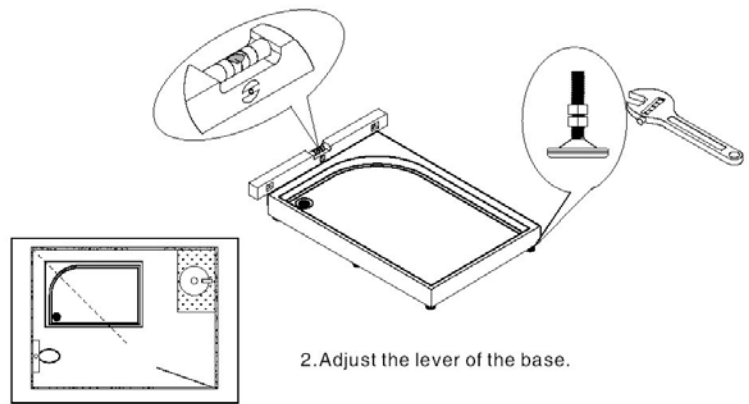


~7~

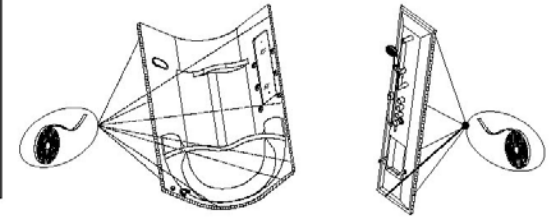
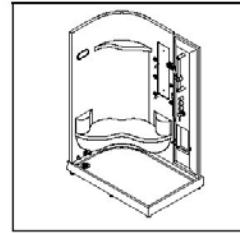




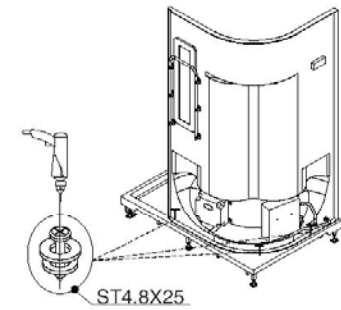
1. Install the base, silicon glue to prevent the leakage.



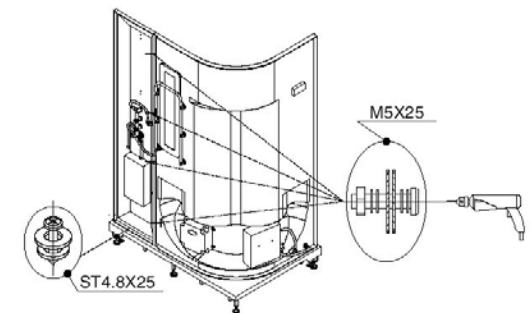
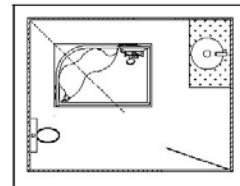
2. Adjust the lever of the base.



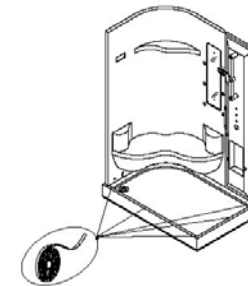
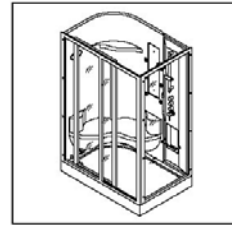
1. Stick adhesive tape to prevent the leakage.



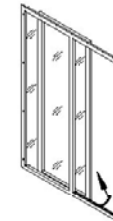
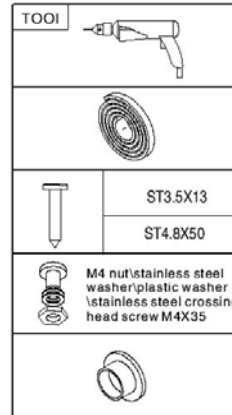
2. Fixed bath-seat.



3. Connected to the side panel and bath-seat.

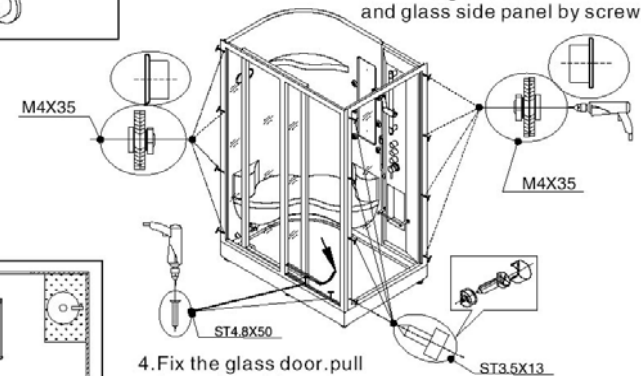


1. Stick the adhesive tape on the connective part to the base .

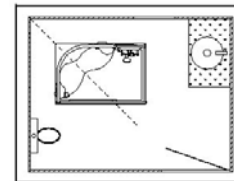


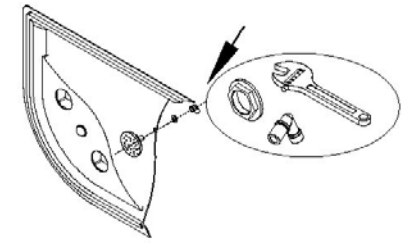
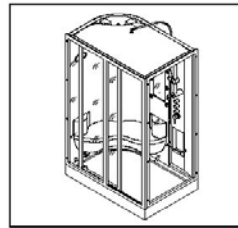
2. Pull up the rubber tape.

3. Fix the glass doorframe and glass side panel by screw.

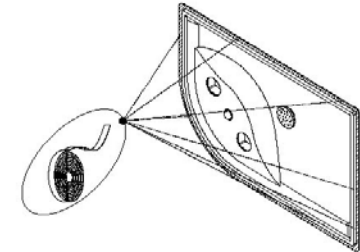
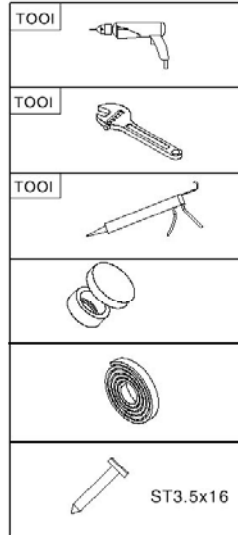


4. Fix the glass door. pull down the rubber tape.

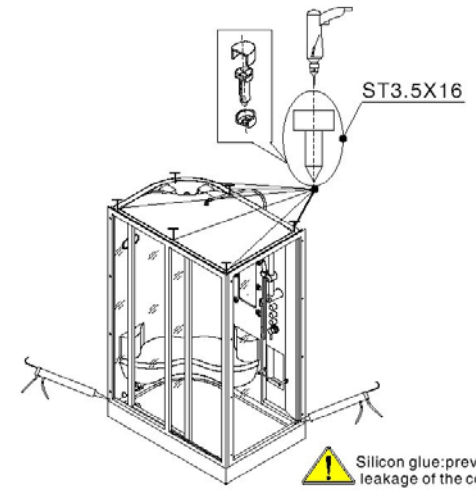
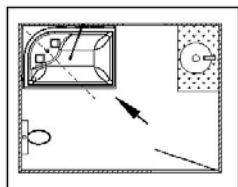




1. Install the top shower head.



2. Stick adhesive tape.



3. Installation of the roof cover.