

~1~

Steam Shower Manual

Model: FJ-2232



Important Safety Information

IMPORTANT

The following must be observed for safe and proper installation and operation. Professional installation is recommended; faulty electrical work may increase the risk of fire.

1. Always consult with a physician before using a steam shower.
2. Children should never use steam shower without adult supervision.
3. If you become dizzy, lightheaded or nauseas you should discontinue use immediately and consult a physician.

WARNING: Individuals who are intoxicated, or have been diagnosed with high blood pressure, or other heart problems should not use steam showers without prior medical consent.

Table of Contents

Notice.....	4
Features.....	5
Water & Electrical Connections	5
Installation	6

Notice

- Do not disconnect any hose or joints from the acrylic panels.
- All shower panel seams must be sealed with 100% silicone caulk
- Remove all protective plastic before assembly
- Tighten and reseal any and all loose fittings, jets and fixtures.
- All electrical work should be done in accordance with local safety standards.
- Water lines must be active before unit is powered up.

Features

- Luxurious Tempered Glass Enclosure
- Self-cleaning Steam Generator
- Left/Right Models Available
- Body Massage Jets
- Rainfall Showerhead
- 2-Person Molded Seat
- Aromatherapy Cup
- Computer Panel
- Remote Control
- Corner Unit
- Quartz Light
- Circulation Fan
- FM Radio / CD-MP3 connection
- Safety Grab Bar
- Mirror
- Accessory Rack
- Hand Held Showerhead

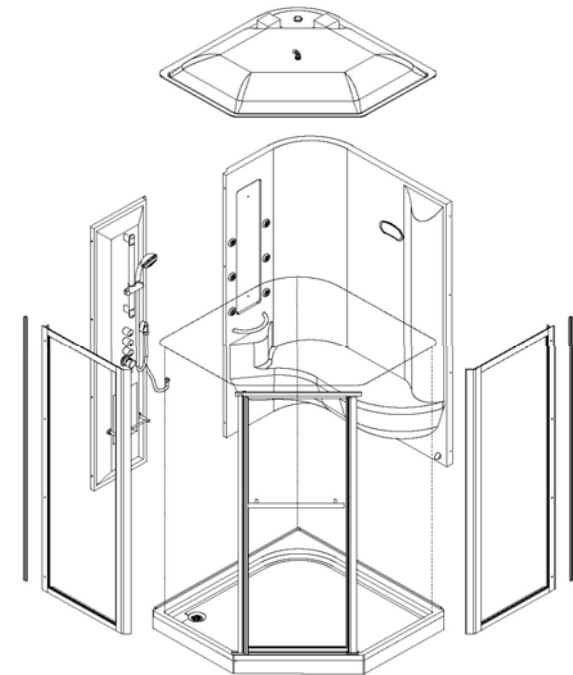
Water and Electrical Connections

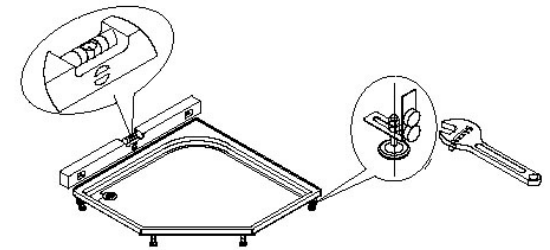
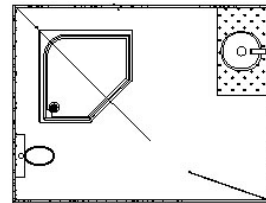
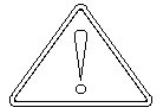
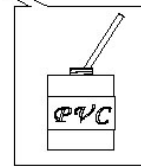
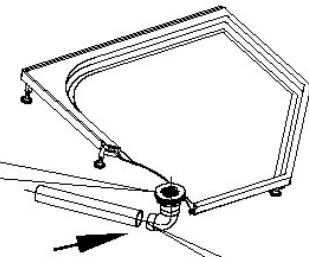
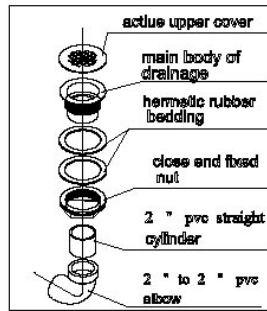
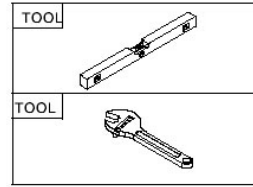
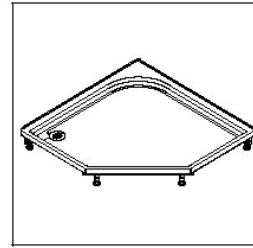
- To avoid scalding the incoming water temperature should never exceed 122° Fahrenheit.
- Water pressure must stay within the range of 30-70 PSI.
- 2 Hot/Cold shutoff valves with ½ male pipe threads are required (not included).
- 1-220 volt 20 amp GFCI breaker with internal neutral wire is required (10-2/ 12-2 gauge wire).

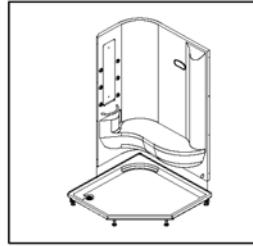
Installation

Required tools

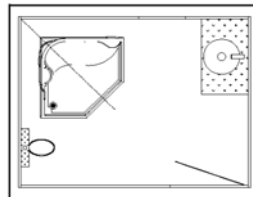
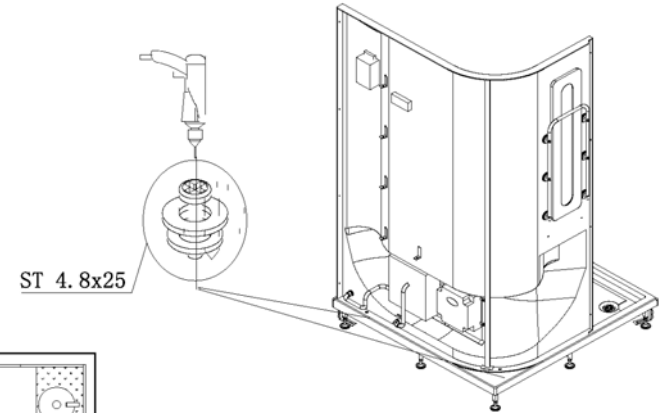
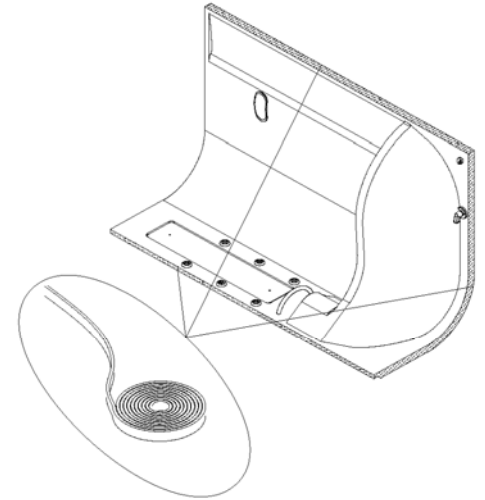
- Crescent wrench
- #2 Philips head screw-driver (electric if possible)
- Strait head screw-driver
- Level
- Caulk gun with 100% silicone caulk
- Customer support—call 866-STEAM-61
- **It is recommended to use 100% silicone caulk to seal all joints between shower panels instead of adhesive tape**

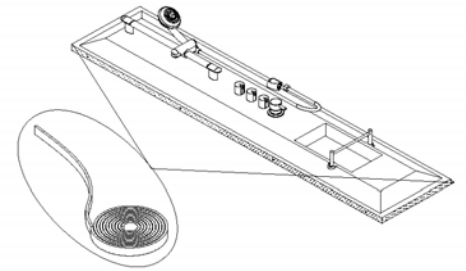
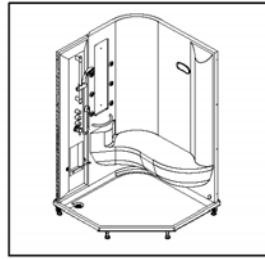


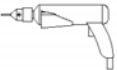





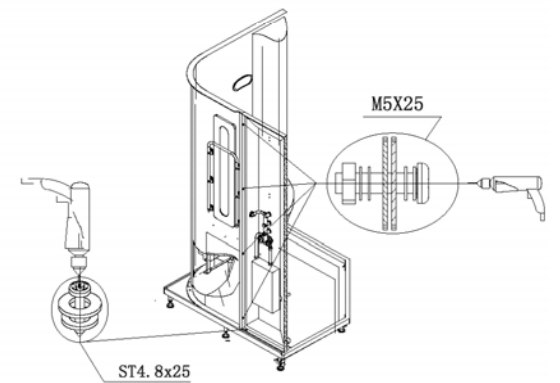
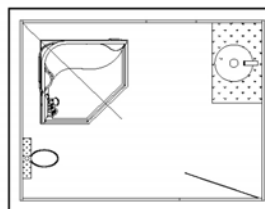
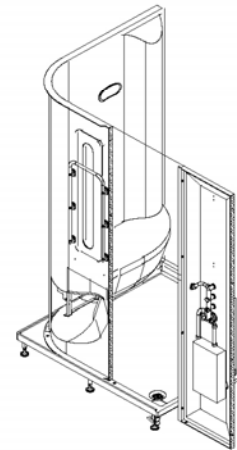









TOOL	
	Rubber washer/ stainless steel washer/crossing head screw ST4. 8X25

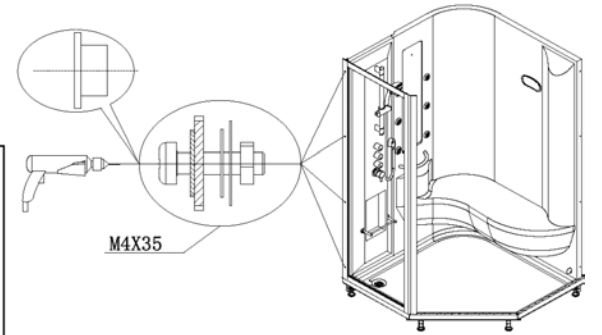
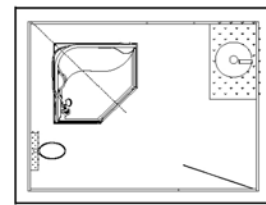
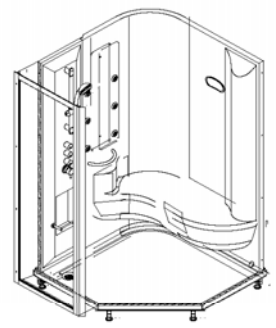
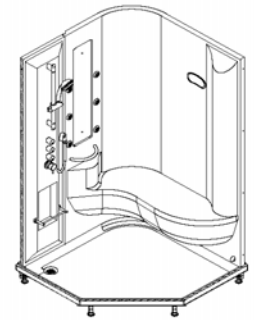


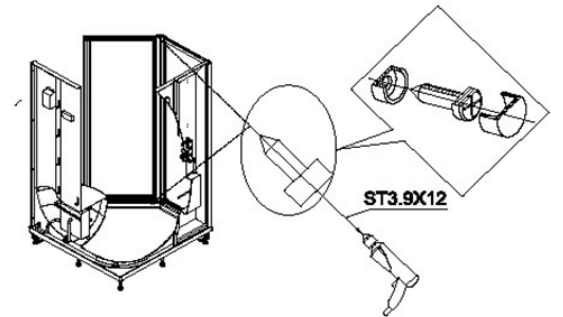
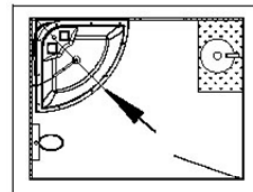
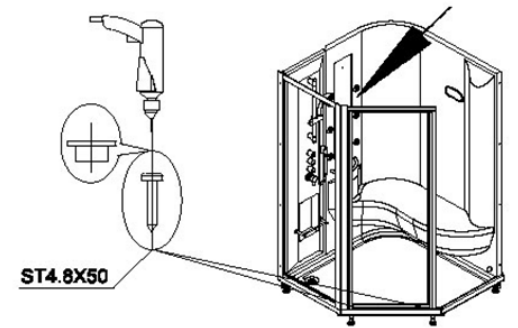
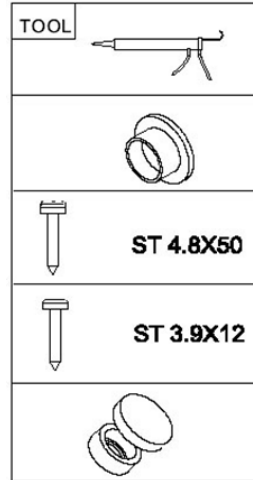
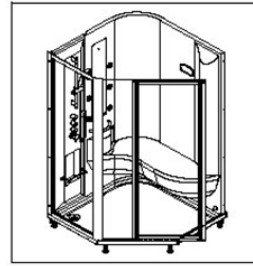




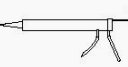



TOOL	
	
	
	rubber washer \ stainless steel washer \ crossing head screw ST4.8X25
	M5 nut \ stainless steel washer \ plastic washer \ stainless steel crossing head self-tapping screw M5x25

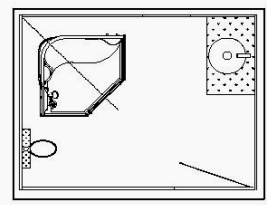
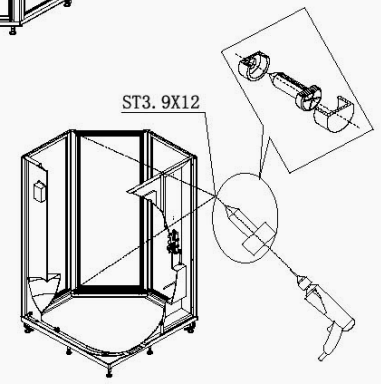
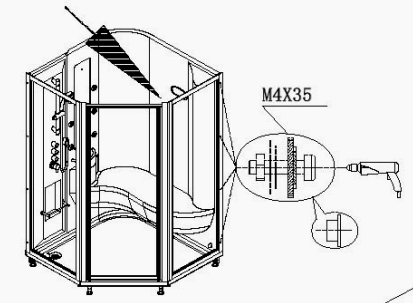
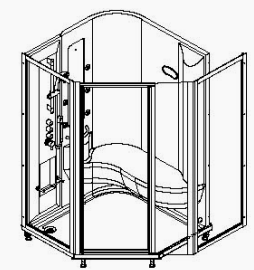
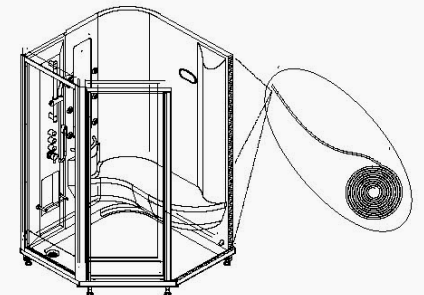


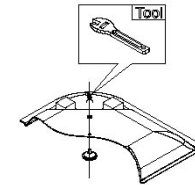
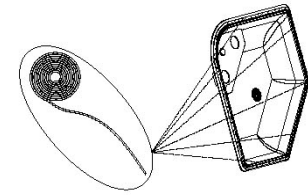
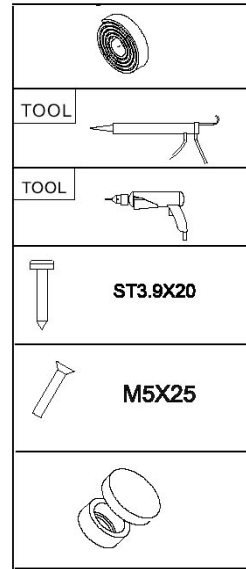
TOOL	
TOOL	
	
 M4 nut \stainless steel washer  stainless steel washer  steel crossing head self-tapping screw M4x35	
	





	M4 nut stainless steel washer plastic washer stainless steel cross head self- tapping screw M4x35
	
TOOL	
	
	ST 3.9X12
	





M5X25
stainless steel washer
rubber washer

